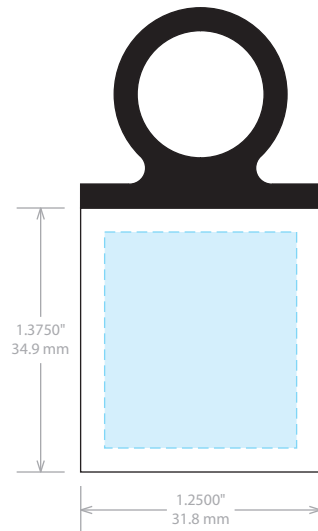
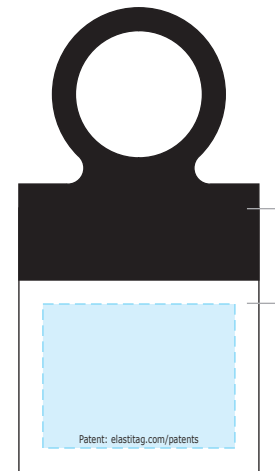


**Elastomer Colors**

-  White
-  Cream
-  Yellow
-  Gold
-  Tan
-  Light Orange
-  Orange
-  Burnt Orange
-  Bright Red
-  Red
-  Hot Pink
-  Pink
-  Lavender
-  Plum
-  Purple
-  Blue
-  Bright Blue
-  Light Blue
-  Aqua
-  Lime Green
-  Green
-  Fir Green
-  Brown
-  Black
-  Silver
-  Aluminum




FRONT VIEW



Elastomer/  
Coatings  
Tolerance  
Zone

BACK VIEW

**KEY:**

 **Live Area** for copy & important graphic elements (.125"/3.2mm inside tag edge). A common color or seamless pattern/image can bleed to the edges of the tag. This will likely require continuous print sleeves.  
For additional design help: [www.elastitag.com/designer-info/](http://www.elastitag.com/designer-info/)

**CUT TOLERANCE:**

Artwork can move approximately .0468" (1.2mm) to the left or right of center on the tag. This is due to die-cutting machine tolerances.

**ElastiTag®**  
Die #2167 Single